

REŠENJA

1. a)

$$U'_{OUT} = U_{OUT}(I_{G1} \neq 0, U_{G1} = 0, U_{G2} = 0) = -\frac{1}{3}RI_{G1}$$

$$U''_{OUT} = U_{OUT}(I_{G1} = 0, U_{G1} \neq 0, U_{G2} = 0) = -\frac{1}{3}U_{G1}$$

$$U'''_{OUT} = U_{OUT}(I_{G1} = 0, U_{G1} = 0, U_{G2} \neq 0) = \frac{1}{3}U_{G2}$$

$$U_{OUT} = U'_{OUT} + U''_{OUT} + U'''_{OUT} = -\frac{1}{3}RI_{G1} - \frac{1}{3}U_{G1} + \frac{1}{3}U_{G2}$$

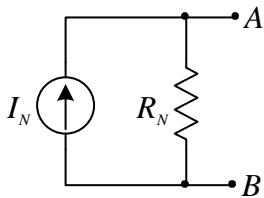
b)

$$P_{I_{G1}} = (-U_{G1} - U_{OUT})I_{G1} = \left(\frac{1}{3}RI_{G1} - \frac{2}{3}U_{G1} - \frac{1}{3}U_{G2}\right)I_{G1}$$

2. a)

$$R_N = (a + 2)R$$

$$I_N = -\frac{u_G + R(2a + 3)i_G}{(a + 2)R}$$



b)

$$P = R \left(\frac{R_N}{R_N + R} I_N \right)^2$$

3. a) $V_1: \left(\frac{1}{1\Omega} + \frac{1}{1\Omega}\right)V_2 - \frac{1}{1\Omega}V_2 = 1A + \frac{1}{1\Omega}$

$V_2: -\frac{1}{1\Omega}V_1 + \left(\frac{1}{1\Omega} + \frac{1}{2\Omega} + \frac{1}{2\Omega}\right)V_2 - \frac{1}{2\Omega}V_3 = -\frac{2V}{1\Omega}$

$V_3: \boxed{V_3 = 10V}$

$2sV_1 - 1sV_2 = 3A$

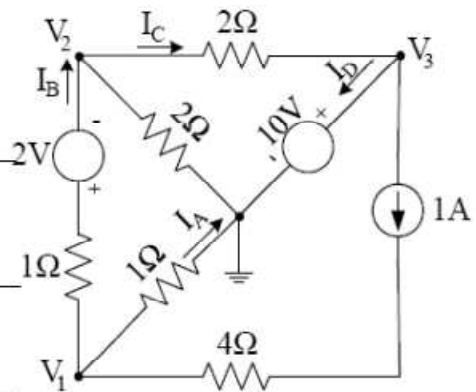
$-1sV_1 + 2sV_2 = 3A \quad / \cdot 2$

$2sV_1 - 1sV_2 = 3A$

$-2sV_1 + 4sV_2 = 6A$

$3sV_2 = 9A \Rightarrow \boxed{V_2 = 3V}$

$2sV_1 - 1s \cdot 3V = 3A \Rightarrow \boxed{V_1 = 3V}$



b) $I_A = \frac{V_1}{1\Omega}$

$\boxed{I_A = 3A}$

$I_B = \frac{V_1 - (V_2 + 2V)}{1\Omega}$

$\boxed{I_B = 2A}$

$I_C = \frac{V_2 - V_3}{2\Omega}$

$\boxed{I_C = -3.5A}$

$I_D = I_C - 1A$

$\boxed{I_D = -4.5A}$

c) $P_{2V} = 2V \cdot (-I_B)$

$\boxed{P_{2V} = -4W}$

$P_{10V} = 10V \cdot (-I_D)$

$\boxed{P_{10V} = 45W}$

$P_{1A} = 1A \cdot (V_1 + 1A \cdot 4\Omega - V_3)$

$P_{1A} = 1A \cdot (3V + 4V - 10V)$

$\boxed{P_{1A} = -3W}$

4. a) $V_1: V_1 = 5V$

$V_2: \left(\frac{1}{4\Omega} + \frac{1}{3\Omega}\right)V_2 - \frac{1}{3\Omega}V_3 = \frac{20V}{4\Omega} + 2A$

$V_3: -\frac{1}{1\Omega}V_1 - \frac{1}{3\Omega}V_2 + \left(\frac{1}{1\Omega} + \frac{1}{3\Omega}\right)V_3 = -1A$

$\frac{7}{12}sV_2 - \frac{1}{3}sV_3 = 7A$

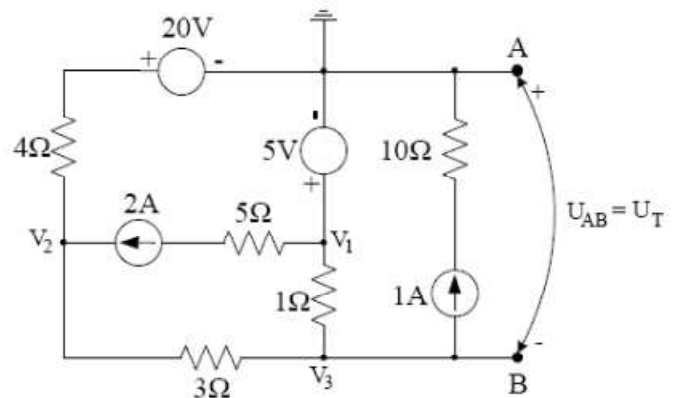
$-\frac{1}{3}sV_2 + \frac{4}{3}sV_3 = 4A$

$7sV_2 - 4sV_3 = 84A$

$-1sV_2 + 4sV_3 = 12A$

$6sV_2 = 96A \Rightarrow \boxed{V_2 = 16V}$

$-16V + 4sV_3 = 12V \Rightarrow 4sV_3 = 28V \Rightarrow \boxed{V_3 = 7V}$



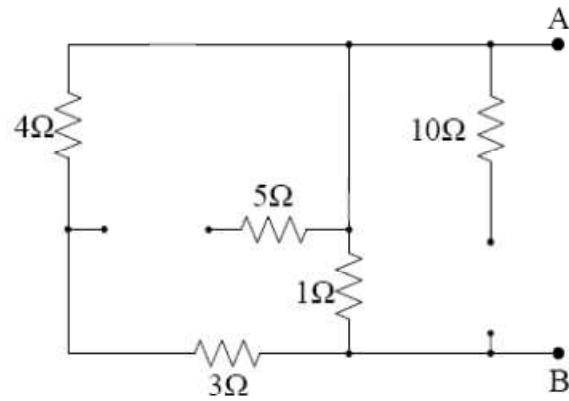
$U_T = V_A - V_B = 0 - V_3 = -7V$

$\boxed{U_T = -7V}$

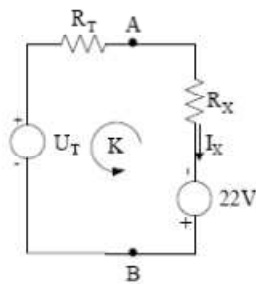
$$R_T = (4\Omega \oplus 3\Omega) \parallel 1\Omega$$

$$R_T = \frac{(4\Omega + 3\Omega) \cdot 1\Omega}{(4\Omega + 3\Omega) + 1\Omega}$$

$$R_T = \frac{7}{8}\Omega$$



b)



$$-U_T + I_X(R_T + R_X) - 22V = 0$$

$$I_X(R_T + R_X) = 22V + U_T$$

$$R_X = \frac{22V + U_T}{I_X} - R_T$$

$$R_X = \frac{22V + (-7V)}{8A} - \frac{7}{8}\Omega$$

$$R_X = 1\Omega$$

c)

$$P_{R_X} = R_X \cdot I_X^2$$

$$P_{R_X} = 1\Omega \cdot 64A^2$$

$$P_{R_X} = 64W$$

$$P_{22V} = 22V \cdot I_X$$

$$P_{R_X} = 22V \cdot 8A$$

$$P_{R_X} = 172W$$